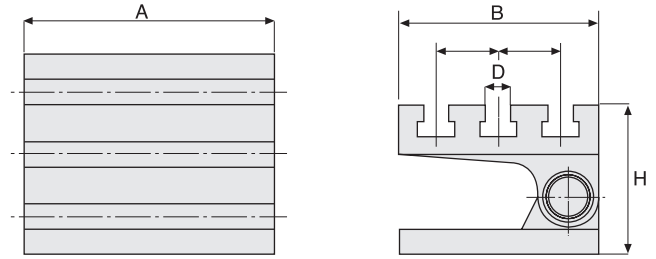


TILTING ANGLE PLATE

Model: HSAP-1, 2, 3, 4

These Tilting Angle Plates are available in a range of sizes. They are designed primarily for simple, quick angle adjustment and angle setting on Drilling and Milling Machines.



SPECIFICATIONS

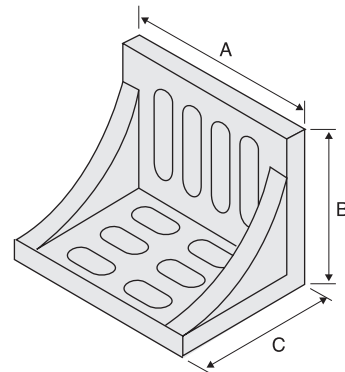
Unit: mm

Model	A	B	C	D	H	Weight (kg)
HSAP-1	204	154	46	13	116	12
HSAP-2	256	204	64	16	170	26
HSAP-3	306	254	68	16	193	45
HSAP-4	386	308	80	16	210	78



SLOTTED ANGLE PLATE (PRECISION GROUND)

Model: HL-4", 6", 8", 10", 12"



SPECIFICATIONS

Unit: mm / inch

Model	A	B	C	Weight (kg)
HL-4"	4½"	3½"	3"	2
HL-6"	6"	5"	4½"	3.5
HL-8"	8"	6"	5"	7
HL-10"	10"	8"	6"	12
HL-12"	12"	9"	8"	25