

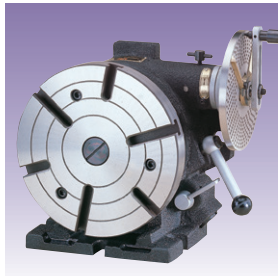


## SUPER INDEXING SPACER

### Model: CS-6", CS-8"

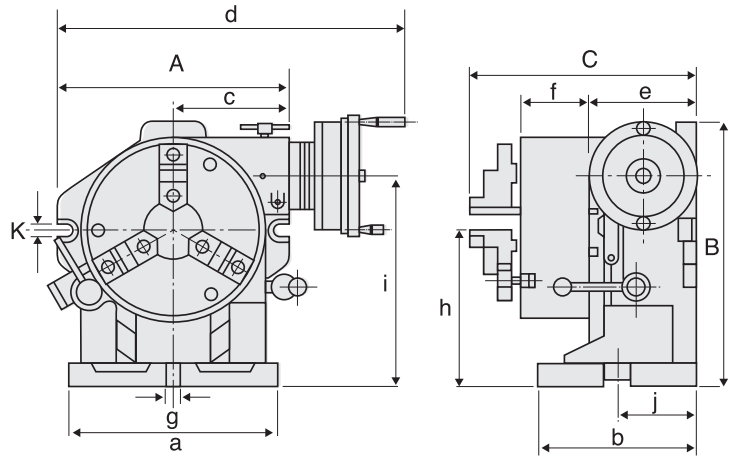
In addition to all of the features of the Simple Indexing Spacer, the Super Indexing Spacer incorporates a Worm Gear and is supplied with a Face Plate. With the further addition of the optional Dividing Plate Set, it can also be used as a Dividing Head. The WORM is hardened and precision ground to minimize the wear out of the WORM GEAR.

**REMARK: "Operation and Service Manual" is included for reference**



#### OPTIONAL ACCESSORIES:

- **Tail Stock**  
TS-4 for CS-6"  
TS-5 for CS-8"
- **Dividing Plate Set**  
DP-4 for CS-6"  
DP-5 for CS-8"
- **3-Jaw Chuck**  
6" 3-Jaw Chuck for CS-6"  
8" 3-Jaw Chuck for CS-8"



#### SPECIFICATIONS

Unit: mm

Model	DIRECT INDEXING	A	B	C	a	b	c	Face plate	
								Outer diameter	Thickness
CS-6"	2, 3, 4, 6, 8, 12, 24	250	244	190	190	140	117	203	50
CS-8"		310	295	212	225	160	142	258	58
Model	d	e	f	g	h	i	j	k	Weight (kg)
CS-6"	420	97	65	16	130	198	84	18	35
CS-8"	460	108	76	16	160	245	95	18	70

## DIVIDING PLATE SET

### Model: DP-4, 5

#### NUMBER OF HOLES:

**DP-4, 5**

**A Plate.....** 26, 28, 30, 32, 34, 37, 38, 39, 41, 43, 44, 46, 47, 49, 51, 53, 57, 59

**B Plate.....** 61, 63, 67, 69, 71, 73, 77, 79, 81, 83, 87, 89, 91, 93, 97, 99

**DP-4 for CS-6"**

**DP-5 for CS-8"**

