

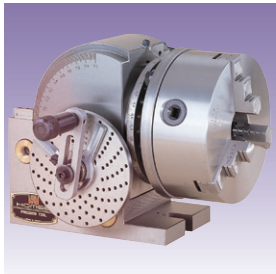
SEMI-UNIVERSAL DIVIDING HEAD

Model: BS-0, BS-1

Semi-Universal Dividing Head is a simplified type of Universal Index Center and can be used for direct and indirect dividing. No accessories for the differential dividing and spiral work are included, but the whole construction of the dividing head and tailstock are identical with those of the universal type.

The unit has a Direct Indexing Plate with 24 holes enabling the direct dividing of 2, 3, 4, 6, 8, 12 and 24 divisions. Three further Indexing Plates are provided as standard to facilitate indirect dividing of all divisions from 2 to 50 and also most useful divisions up to 380.

REMARK: " Operation and Service Manual " is included for reference

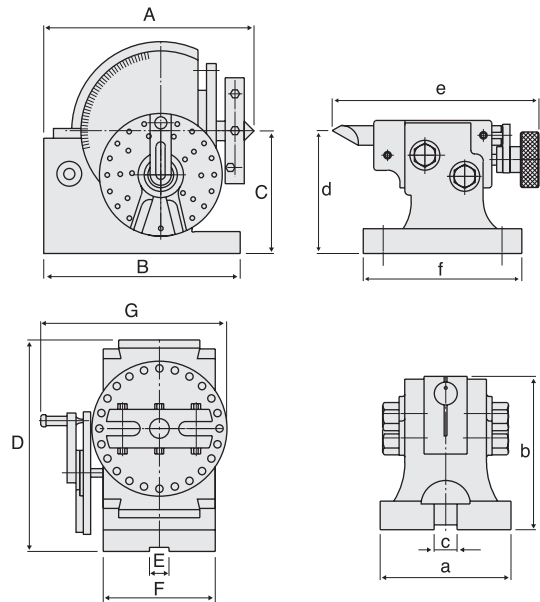


OPTIONAL ACCESSORY:

• 3-Jaw Chuck

4" or 5" 3-Jaw Chuck for BS-0

5" or 6" 3-Jaw Chuck for BS-1



SPECIFICATIONS

Unit: mm / inch

| Model | A | | B | | C | | D | | E | | F | | G | | Weight (kg) |
|-------|-----|---------|-----|--------|-----|--------|-----|--------|----|-----|-----|--------|-----|--------|-------------|
| BS-0 | 189 | 77/16 | 160 | 619/64 | 100 | 315/16 | 173 | 613/16 | 16 | 5/8 | 91 | 337/64 | 140 | 533/64 | 22 |
| BS-1 | 293 | 1111/32 | 210 | 817/64 | 128 | 53/32 | 220 | 821/32 | 16 | 5/8 | 114 | 431/64 | 156 | 69/64 | 32 |

TAIL STOCK For SEMI-UNIVERSAL DIVIDING HEAD BS-0 & BS-1

Unit: mm / inch

| Model | a | | b | | c | | d | | e | | f | | Taper of Center | Diameter of Spindle hole |
|-------|-----|--------|-----|--------|----|-----|-----|--------|-----|--------|-----|--------|-----------------|--------------------------|
| BS-0 | 90 | 335/64 | 105 | 49/64 | 16 | 5/8 | 100 | 315/16 | 166 | 634/64 | 127 | 5 | B&S No.7 | 18 |
| BS-1 | 108 | 41/14 | 134 | 518/64 | 16 | 5/8 | 128 | 53/32 | 184 | 71/4 | 150 | 529/32 | B&S No.9 | 20 |

STANDARD ACCESSORIES:

DIVIDING PLATE A, B, C.

NUMBER OF HOLES OF DIVIDING PLATE (WORM GEAR REDUCTION RATIO 40:1)

| Number of holes | Plate A | 15 | 16 | 17 | 18 | 19 | 20 |
|-----------------|---------|----|----|----|----|----|----|
| | Plate B | 21 | 23 | 27 | 29 | 31 | 33 |
| | Plate C | 37 | 39 | 41 | 43 | 47 | 49 |