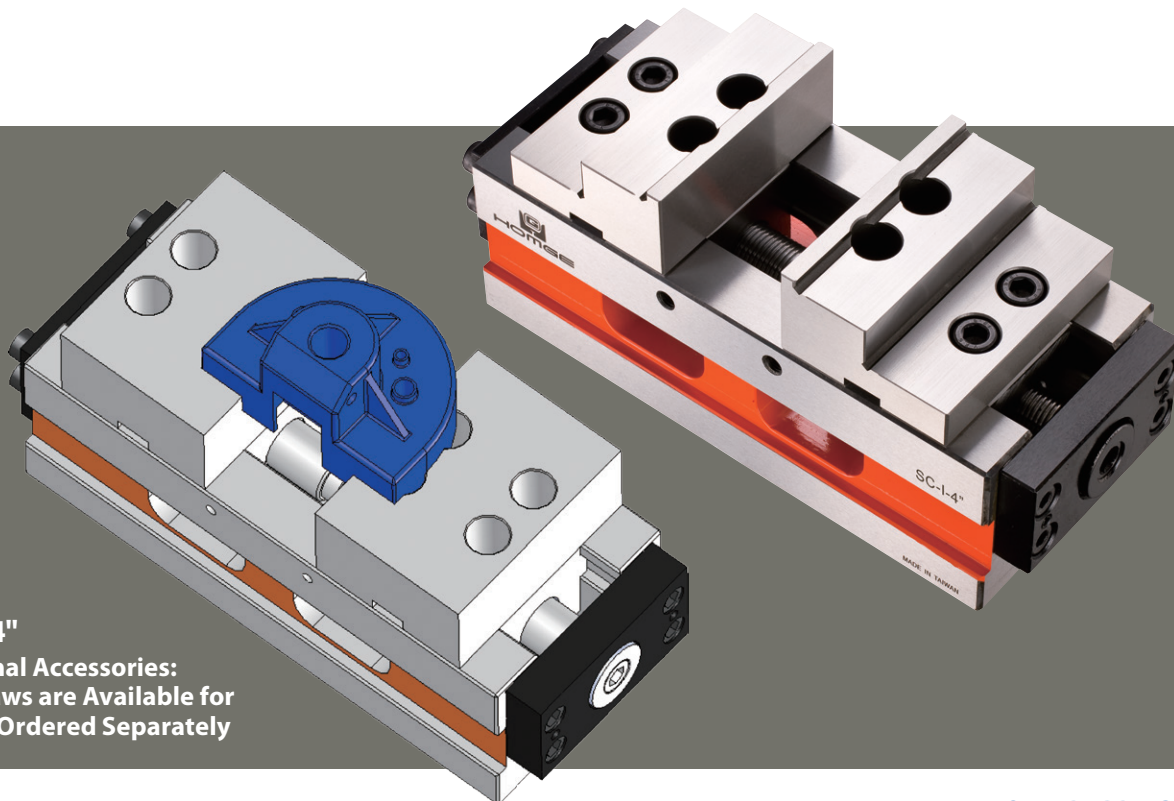


SELF-CENTERING VISE

Model: SC-I-4"

PATENTED
M456256

- Specially designed for 5-axis & CNC machining centers
- Both sides of Vise Jaws are available for multiple clamping
- Modular vise with fixed height, can be used vertically or horizontally

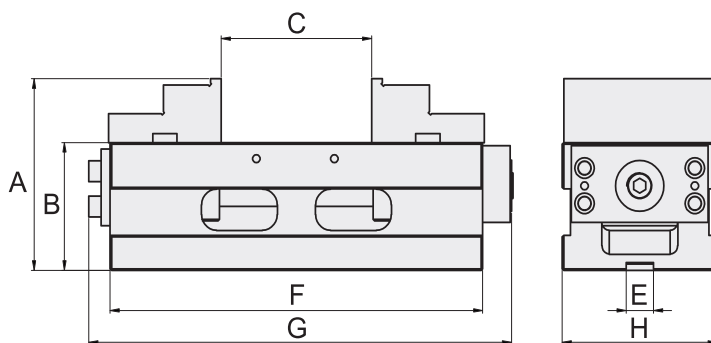


SC-I-4"

Optional Accessories:
Soft Jaws are Available for
being Ordered Separately

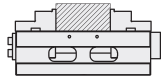
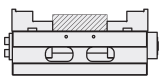
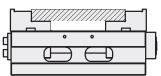
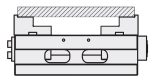
STANDARD ACCESSORIES:

- 4 pcs of Clamp
- 1 pc of Wrench



SPECIFICATIONS (Material: FCD 60 Ductile Iron. Hardness: HRC 50° / Material of Soft Jaw: Steel)

Unit: mm

MODEL	A	B	E	F	G	H	Weight (kg)
SC-I-4"	120	80	18	245	278	102	15
MODEL	C		C1		C2	C3	
							
SC-I-4"	95		95		166	230	