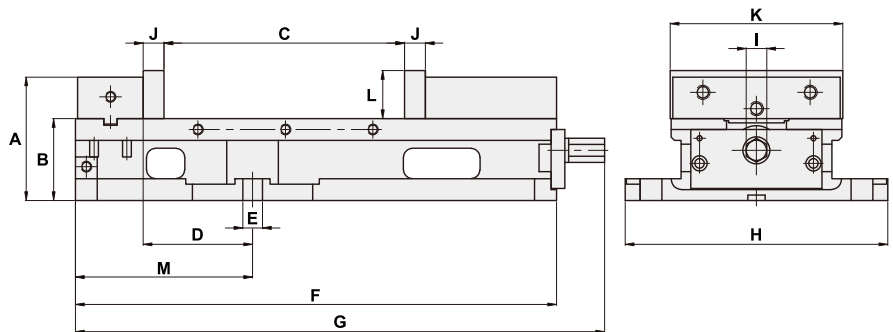
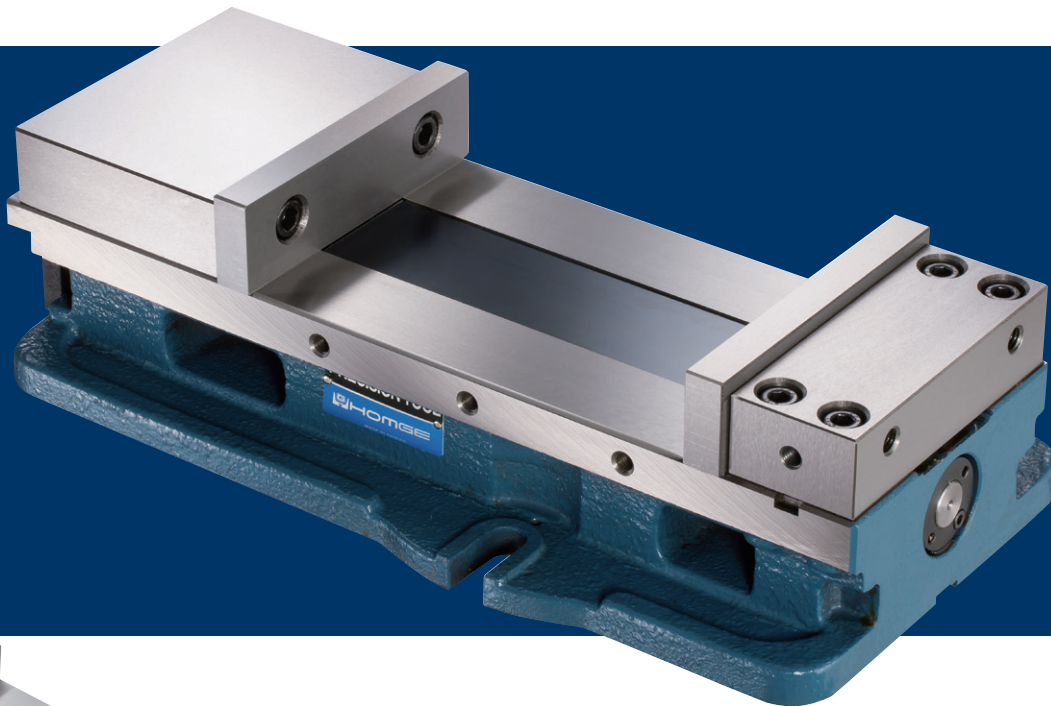


PRECISION ANGLE LOCK VISE (FRONT-PULLING TYPE)

**PATENTED
M338717**

Model: TV-6" SUPER-OPEN 10"
TV-8" SUPER-OPEN 12"

- Super-Big Jaw Opening: **10"** for TV-6" and **12"** for TV-8"
- Advanced clamping style by front pulling, which enhances the clamping force and its accuracy
- Constructed with wider fixed jaw by 4 bolts locked on top and lager keyway to ensure accuracy and durability
- Two sides of Vise Body can be used as datum surfaces







OPTIONAL ACCESSORIES:

- Swivel Base

SPECIFICATIONS (Material: FCD 60 ductile Iron. Hardness: HRC 50°)

Unit: mm

MODEL	A	B	C	D	E	F	G	H	I
TV-6" Super-Open 10"	113	77	250	100	16	455	484	240	19
TV-8" Super-Open 12"	139	87	305	138	16	570	620	300	19

MODEL	J	K	L	M					Weight (kg)
TV-6" Super-Open 10"	19	160	44	162	250	329	389	468	36
TV-8" Super-Open 12"	24	215	61	230	305	419	469	583	62