

PNEUMATIC SUPER HI-PRESSURE VISE

Model: HBV-4"G, 5"G, 6"G



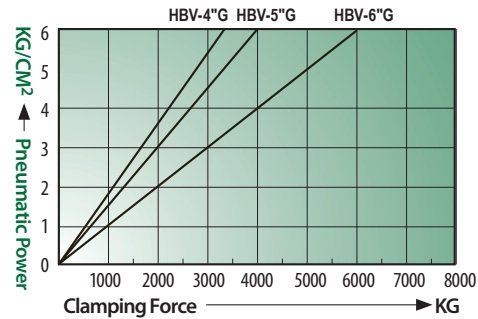
- High-Force Cylinders hardly malfunction
- Fixed Height so several vises can be used together

STANDARD ACCESSORIES:

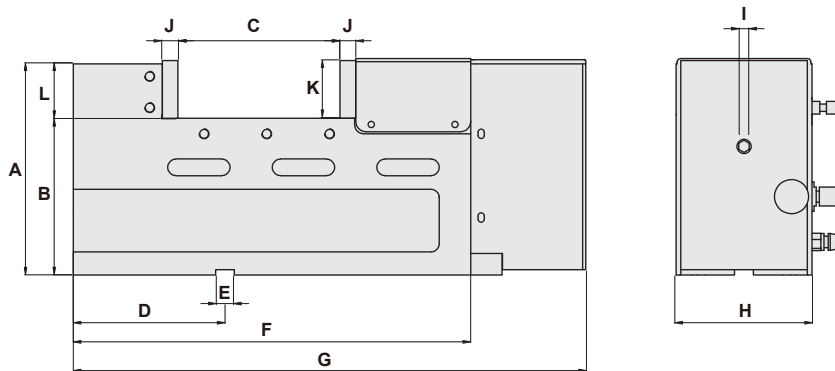
- 2 pcs of Alignment Wedge
- 4 pcs of Clamp
- 1 pc of Wrench



- Special **High-Force Cylinders** are designed to enhance clamping force of 0-6000kg and can be adjusted depends on the material of work-piece.
- Vise body is made of Ductile Iron above FCD 60 grade for high precision and durability.
- Slide ways are **HARDENED** to **HRC 50°** to further increase durability and maintain positioning height over long use.
- The special **ANGLE-LOCK SYSTEM** with compact design for high rigidity automatically pulls the work-piece down to the accurate position.
- **High-Force Cylinders** hardly malfunction.
- Special **safety device** to ensure the vise holds clamping force 20 minutes if the air supply is cut.
- Safety range is **4-4.5 mm**.


 Pneumatic power source 6kg/cm²


DIMENSIONS



SPECIFICATIONS (Material: FCD 60 ductile Iron. Hardness: HRC50°)

Unit: mm

Model	A	B	C	D	E	F	G	H	I
HBV-4\"G	195	150±0.01	0 - 105	145	18	325	435	102	10
HBV-5\"G	202	150±0.01	0 - 185	145	18	390	490	130	10
HBV-6\"G	205	150±0.01	0 - 220	145	18	440	550	161	10

Model	J	K	L	Max. Clamping Force	Safety Range	Weight (kg)
HBV-4\"G	15	48	45	0-3000 kg	4 mm	37
HBV-5\"G	15	55	52	0-4000 kg	4 mm	50
HBV-6\"G	15	58	55	0-4000 kg	4 mm	70