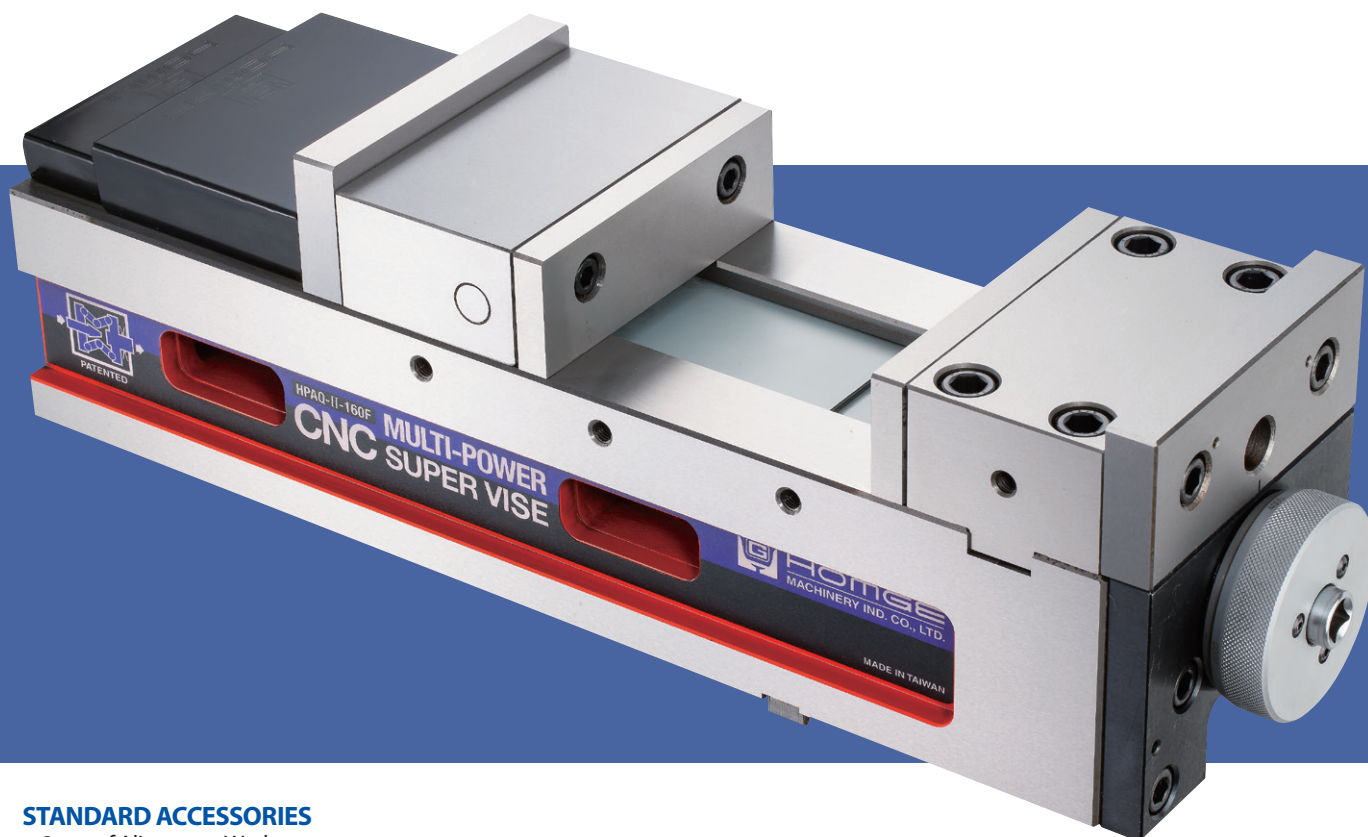


# MULTI-POWER CNC SUPER VISE (FRONT-MOUNTING TYPE)

## Model: HPAQ-II-160F

PATENTED  
M278511  
M458489  
M435335  
M397304  
I373394

- Special MULTI-POWER design enhances clamping force of **0~5000kg**
- It's **ergonomics** for easy reach, thus saves time and prevents back strain
- It possesses all features of HPAQ-Type.

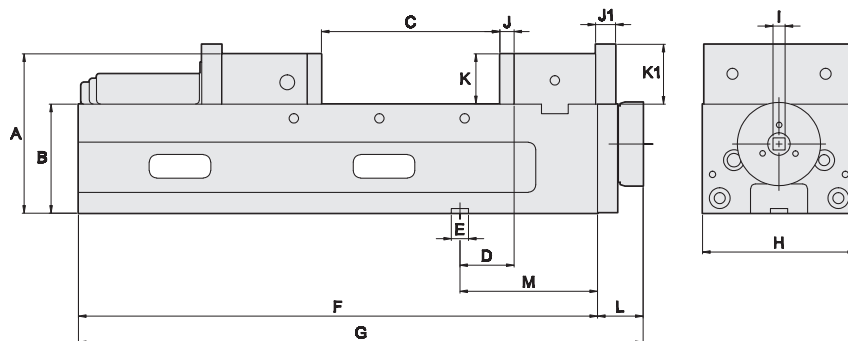


### STANDARD ACCESSORIES

- 2 pcs of Alignment Wedge
- 4 pcs of Clamp
- 1 pc of Handle

### OPTIONAL ACCESSORIES

- Cross Grooved Jaws
- "V" Jaws
- Combined Jaws
- Step Jaws



### SPECIFICATIONS (Material: FCD 60 Ductile Iron. Hardness: HRC 50°)

Unit: mm

MODEL	A	B	C	D	E	F	G	H	I
HPAQ-II-160F	168	115±0.01	0-300	57±0.02	18	547	595	161	12.7
MODEL	J	J1	K	K1	L	M	Max. Clamping Force	Weight (kg)	
HPAQ-II-160F	15	20	53	63	49	145	5000 kg	70	