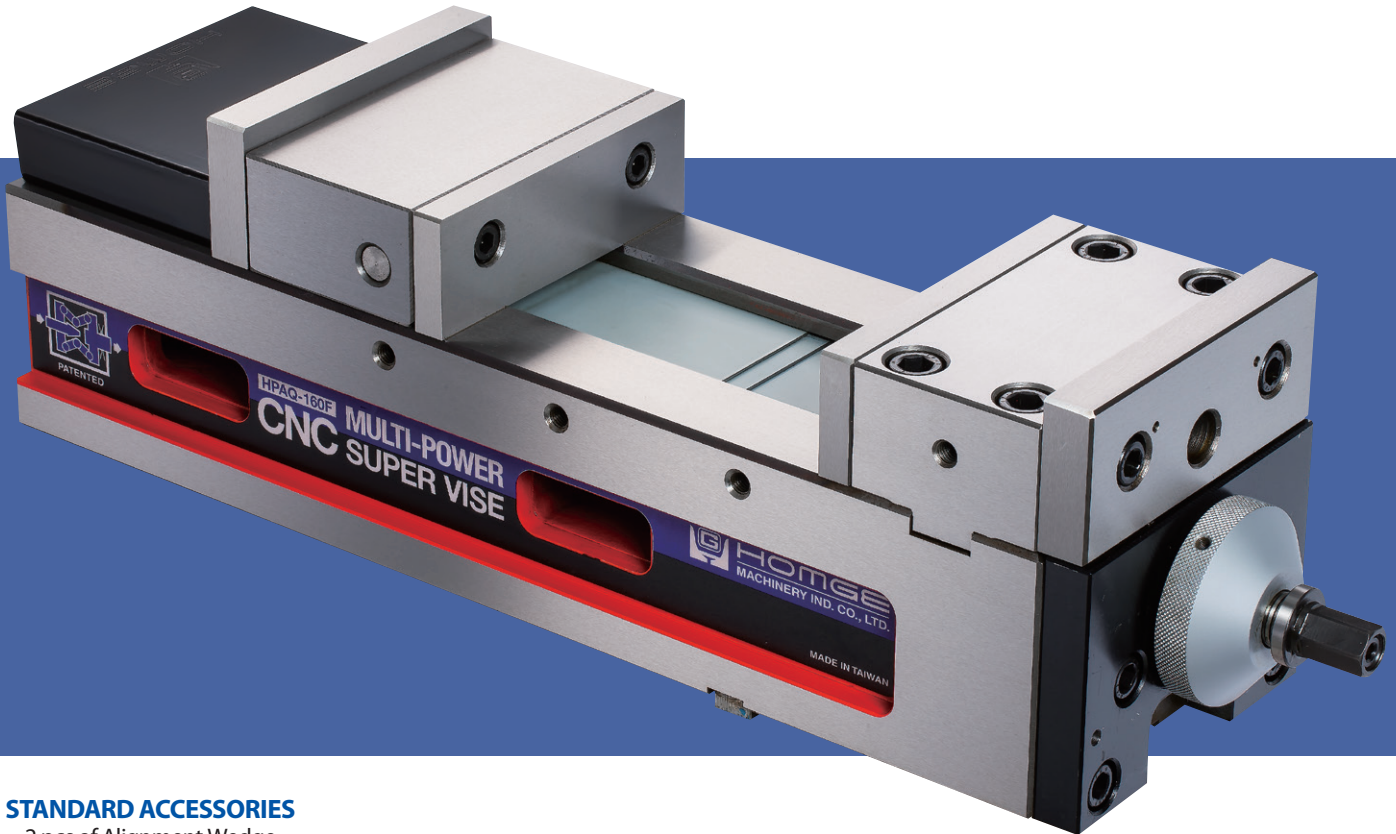


MULTI-POWER CNC SUPER VISE (FRONT-MOUNTING TYPE)

Model: HPAQ-160F, 200F

PATENTED
 M278511
 M458489
 M287204
 M435335
 M397304

- Special MULTI-POWER design enhances clamping force of **0~6000kg**
- It's **ergonomics** for easy reach, thus saves time and prevents back strain
- It possesses all features of HPAQ-Type

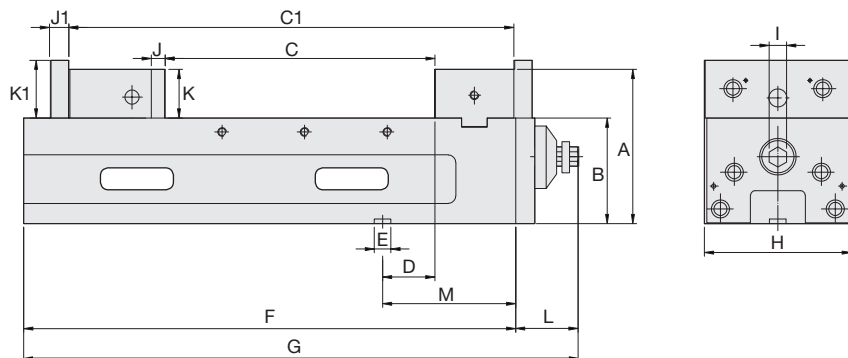


STANDARD ACCESSORIES

- 2 pcs of Alignment Wedge
- 4 pcs of Clamp
- 1 pc of Handle

OPTIONAL ACCESSORIES

- Cross Grooved Jaws
- "V" Jaws
- Comvbinded Jaws
- Step Jaws



SPECIFICATIONS (Material: FCD 60 Ductile Iron. Hardness: HRC 50°)

Unit: mm

MODEL	A	B	C	C1	D	E	F	G	H
HPAQ-160F	168	115±0.01	0-290	195-480	57±0.02	18	536	637	161
HPAQ-200F	187	120±0.01	0-330	200-550	66±0.02	18	616	715	201
MODEL	I	J	J1	K	K1	L	M	Max. Clamping Force	Weight (kg)
HPAQ-160F	19	15	20	53	63	101	145±0.02	5000 kg	70
HPAQ-200F	19	18	24	66	75	99	168±0.02	6000 kg	120