

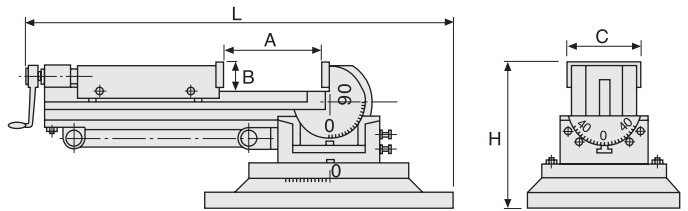
UNIVERSAL 3-WAY TILTING VISE

Model: HY-3", 4", 5"

Material is highest quality **Ductile Iron FCD 55**.

It's durable and won't be broken.

- Angles can be set in three dimensions.
- The 360° tunable base is graduated in degrees.
- The vise can be elevated through 90° from the horizontal to the vertical position, and it can also be tilted on its lower angle setting base up to 45° in both the left and right directions.
- The vise can be securely locked in all of its three settings.



SPECIFICATIONS (Material: FCD 55 Ductile Iron)

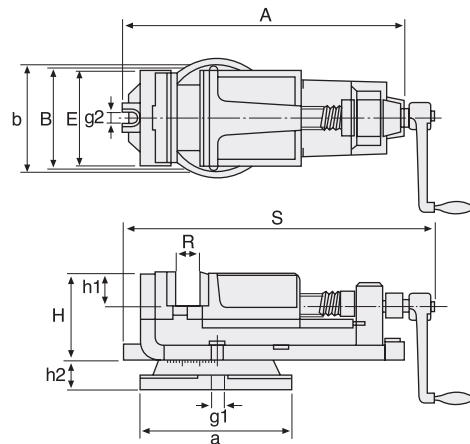
Unit: mm

Model	A	B	C	H	L	Vertical Height	Weight (kg)
HY-3"	90	30	80	150	396	386	17
HY-4"	105	38	106	172	460	470	33
HY-5"	140	40	132	205	625	590	45



K-TYPE MACHINE VISE

Model: HKV-100, 125, 150, 200



SPECIFICATIONS

Unit: mm

NO	Model	E	A	B	H	R	S	a	b	h1	h2	g1	g2	Weight (kg)
V-72	HKV-100	100	267	106	75	65	295	160	114	30	25	10	10	10
V-73	HKV-125	125	340	130	99	80	400	210	155	38	23	10	10	16
V-74	HKV-150	150	421	160	105	114	462	245	175	40	40	13	13	26
V-75	HKV-200	200	576	215	144	150	620	340	230	58	45	17	17	52