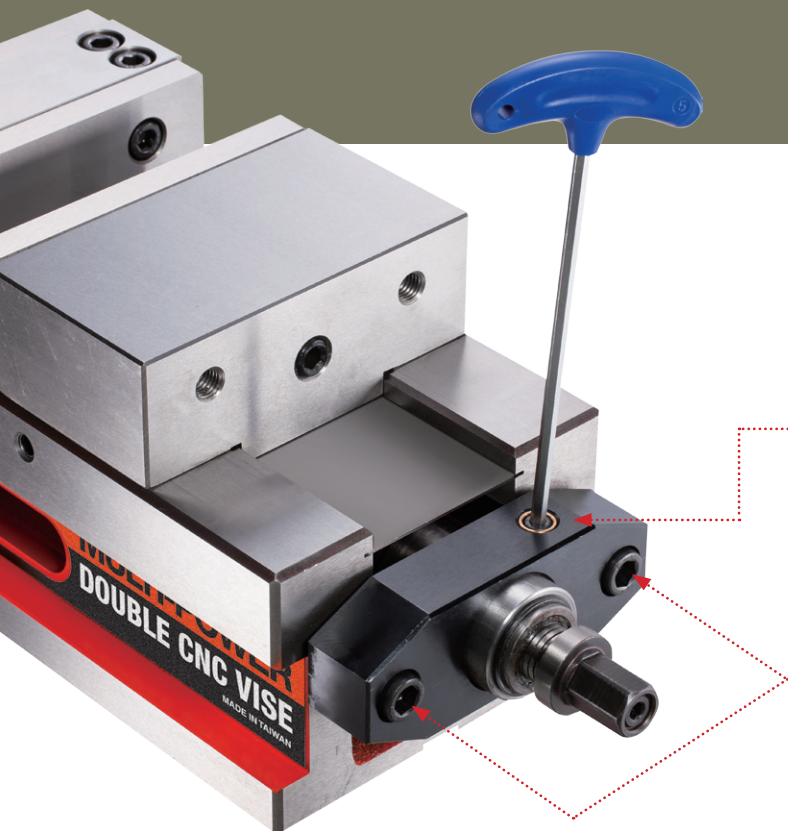
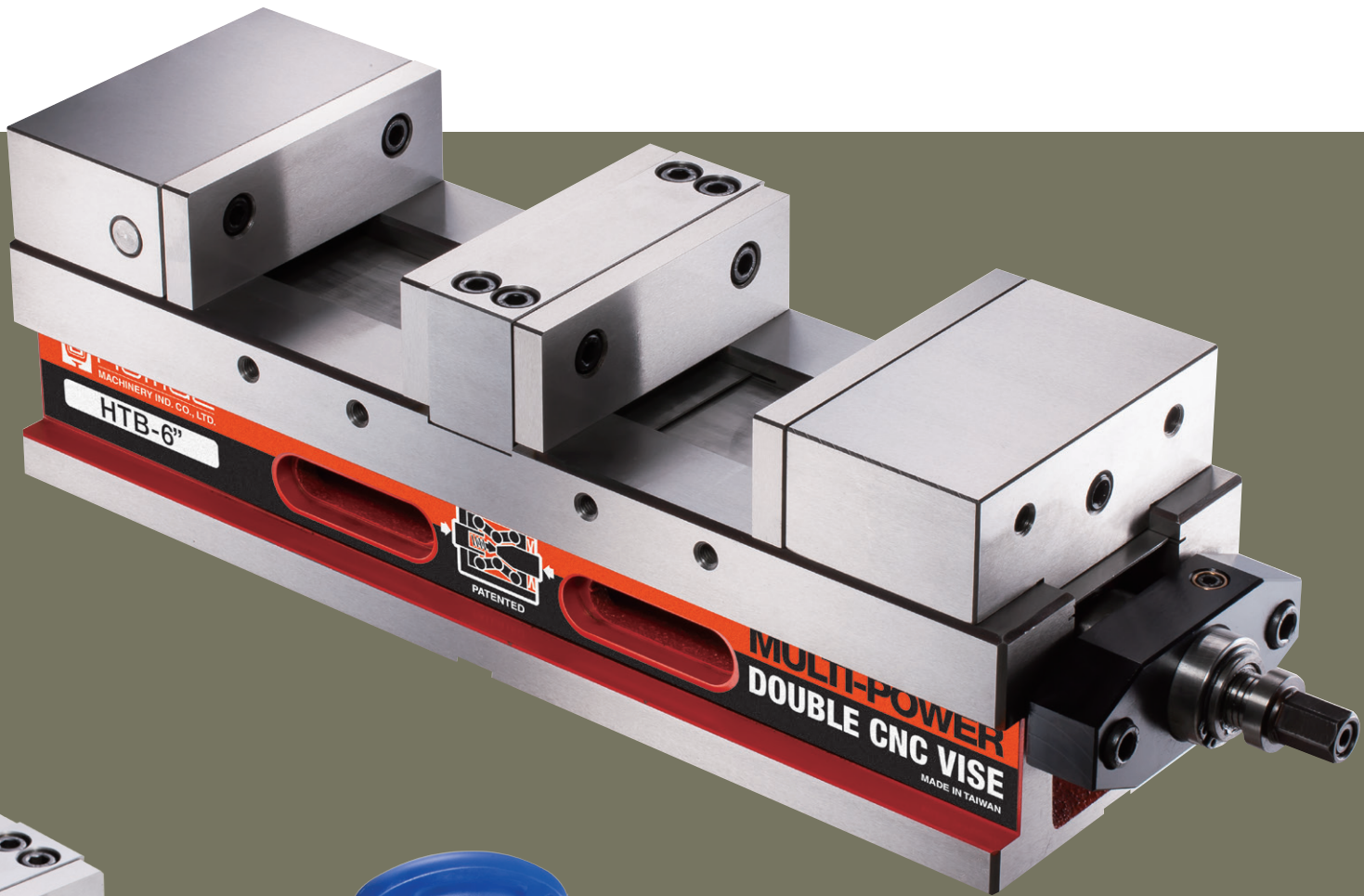


DOUBLE CNC MULTI-POWER VISE

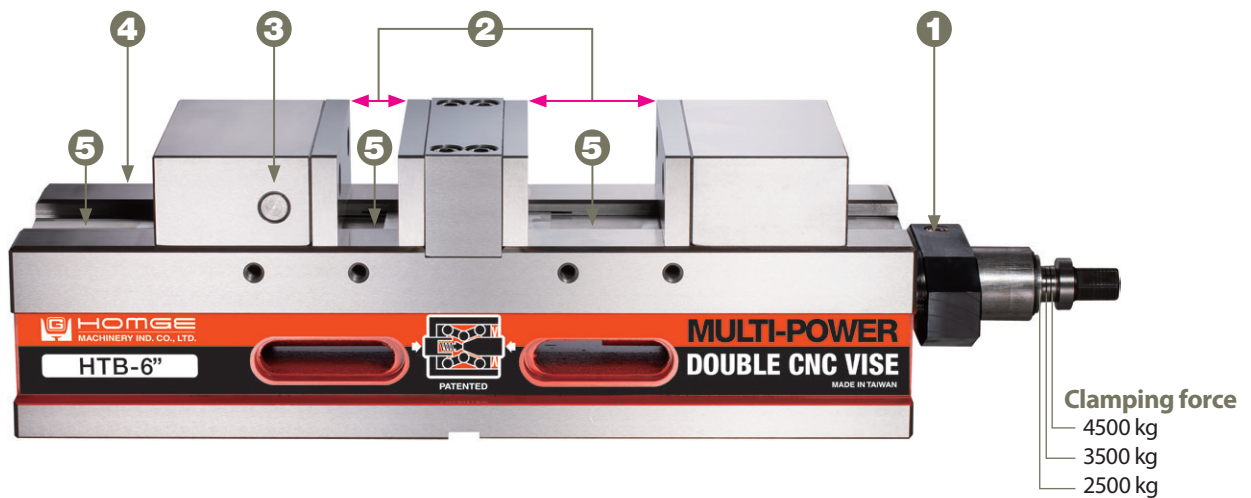
Model: HTB-5", 6", 8"



If the tolerance of work-piece is more than **5mm**, please adjust this screw.

A special **SPRING DEVICE** allows an extra tolerance of up to **5mm** in workpiece size enabling quick positioning and clamping.

1. A special **SPRING DEVICE** allows an extra tolerance of up to **5mm** in workpiece sizes, which enables automatically quick positioning and clamping.
2. The vise can hold 2 workpieces of different sizes with max. difference of **25mm**.
3. The **Special ANGLE-LOCK SYSTEM** with compact design and high-grade iron of over FCD 60 grade for high rigidity automatically pulls the workpiece down to its accurate position.
4. **Fixed Height**, so several vises can be used together.
5. Double Leadscrew Covers protect Leadscrew from swarf.



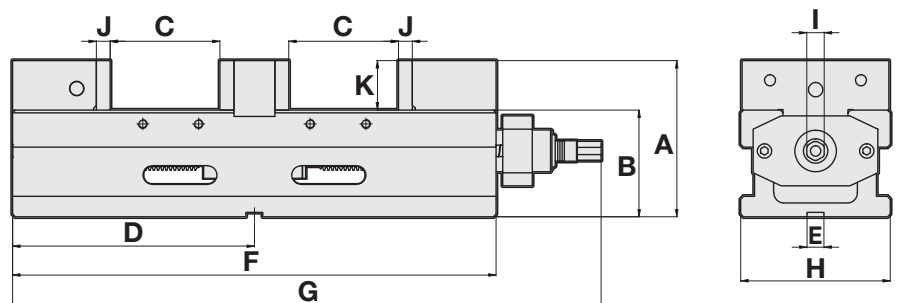
Clamping force
 4500 kg
 3500 kg
 2500 kg

DIMENSIONS



STANDARD ACCESSORIES

- 2pcs of Alignment Wedge
- 4pcs of Clamp
- 1pc of Wrench
- 1pc T Type Wrench



SPECIFICATIONS (FCD 60 ductile Iron. Hardness: HRC50°)

Unit: mm

MODEL	A	B	C	D	E	F	G	H	I	J	K	Weight (kg)
HTB-5"	168	115±0.01	94	236	18	472	584	134	19	15	53	53
HTB-6"	168	115±0.01	120	260	18	520	632	161	19	15	53	62
HTB-8"	187	120±0.01	150	310	18	620	732	200	19	18	66	112